

PDP-4216HD

42-Inch High-Definition PureVision® Plasma Television

- › High Definition XGA Resolution (1,024 x 768)
- › 42" Diagonal / 16:9 Wide-Screen Aspect Ratio
- › Improved Panel Efficiency
- › One-Body Design with Fully Integrated Side Speakers & Stand



Simulated Screen



PANEL TECHNOLOGY

- › **Deep Encased Cell Structure** to improve brightness, image accuracy and panel efficiency
- › **Pure Color Filter** for better contrast, color and reduced light reflection on screen
- › **Crystal Emissive Layer** for deeper blacks and increased image brightness
- › **New and Improved Red and Blue Phosphors** creating a brighter, purer and wider color space, improving the overall HD experience
- › **New Dielectric Layer** for improved light management and efficiency of panel

VIDEO PROCESSING TECHNOLOGY

- › **Pure Cinema with 3:2 Pulldown** for smooth, natural reproduction as seen in a movie theater
- › **Color Temperature Control** - 3 settings (high / mid / low)
- › **Noise Reduction System** to minimize video noise and tiling

CONVENIENCE FEATURES

- › **Built-in NTSC, ATSC and QAM Tuners**
- › **Dual Independent HDMI Inputs** - 1 with Analog Audio
- › **A/V Selection Memory** - 5 Positions (Standard / Dynamic / Movie / Game / User)
- › **Aspect Ratio Control** - 6 Positions (Wide / Zoom / Cinema / Full / 4:3 / HD Wide)
- › **Multi-Window Function** - Picture in Picture (4 positions), Twin Picture, Swap Function
- › **V-Chip Parental Control**
- › **Remote Control**
- › **Sleep Timer**

VIDEO AND AUDIO CONNECTIVITY

- › **Inputs**
 - **Antenna** (x2)
 - **Composite or S-Video** (3:2 rear / 1 side)
 - **Component** (x2)
 - **HDMI** (x2)
 - **Audio L / R** (5:4 rear / 1 side)
- › **Outputs**
 - **Composite Monitor**
 - **Digital Audio** (rear)
 - **Audio L / R**

SOUND TECHNOLOGY

- › **10 Watt Stereo Speakers**
- › **SRS® TruSurround XT®**
- › **Tone Control**
- › **L / R Balance Control**

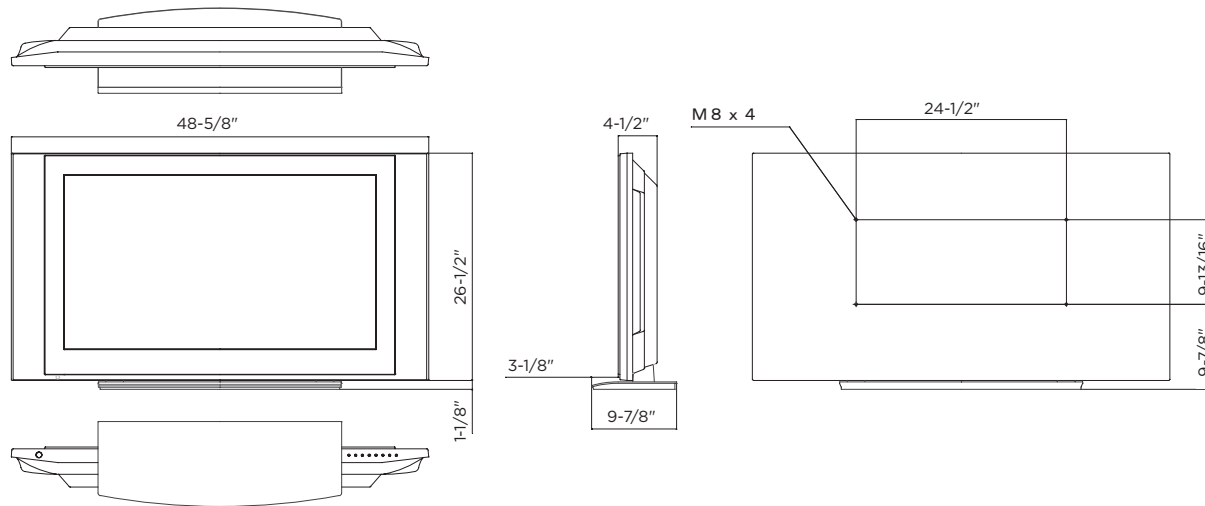
OTHER

- › **Table Top Stand** - Fully Integrated
- › **Speakers** - Fully Integrated/Side

PRODUCT DIMENSIONS

- › One Body Design Plasma Display (W x H x D) 48-5/8" x 26-1/2" x 4-1/2"
 - With Fully Integrated Side Speakers
- › Display Weight: 84 lbs. 14 oz.

42-Inch High-Definition PureVision® Plasma Television



Specifications and design subject to modification without notice.



INTEGRATED TECHNOLOGIES



- High-Definition Television (HDTV): HDTV refers to a complete product/system with the following minimum performance attributes:
 - Receiver: Receives ATSC terrestrial digital transmissions and decodes all ATSC Table 3 video formats.
 - Display Scanning Format: Has active vertical scanning lines of 720 progressive (720p), 1,080 interlaced (1,080i) or higher.
 - Aspect Ratio: Capable of displaying a 16:9 image.
 - Audio: Receives and reproduces, and/or outputs Dolby Digital audio (Consumer Electronics Association, August 2000).
- Plasma Display Systems display images consisting of hundreds of thousands of minute pixels (light emitting cells), and there is a possibility that some pixels may be inactive, flashing or continually illuminated.
- Plasma Display Systems are made of glass; be sure to secure it from damage from impact.

- Plasma Display Systems, while in use, may generate some functional sounds, for example: fan motor noise, and electrical circuit humming/glass panel buzzing.
- All phosphor-based display systems (CRT Television Systems - both direct view and projection televisions - as well as plasma display systems) may develop image retention, sometimes called burn-in if permanent. Recommended guidelines are as follows:
 - Do not display still images for long periods (such as fixed images from PC or TV game equipment, and/or time of day indicator or channel logo display).
 - Do not display content in the 4:3 aspect ratio (black or gray bars on left and right side of content) or letter-box content (black bars above and below of content) for extended periods of time, or use either of these viewing modes repeatedly within a short period of time. This Plasma Display System is equipped with multiple wide-screen viewing modes; use one of these screen modes to fill the entire screen with content.

- Displaying dark images after displaying still images for a period of time may cause image retention. In most cases, the image retention can be corrected by displaying bright images for a similar period of time. However, if your Plasma Display System displays still images for additional long periods of time, image retention may be irreparable.
- Plasma Display Systems emit slight amounts of IR (Infrared) emission through luminous discharge technology. This IR emission is not harmful to living organisms, but may interfere with the operation of remote controls for other equipment, or cause static in equipment using IR signals (such as cordless headphones or cordless microphones).
- PIONEER, ELITE, and the Pioneer and Elite logos are registered trademarks of Pioneer Corporation.
- HDMI and the HDMI logo are registered trademarks of HDMI Licensing, LLC.
- SRS and TruSurround XT® are registered trademarks of SRS Labs, Inc.
- Dolby and the double-D symbol are registered trademarks of Dolby Laboratories.